

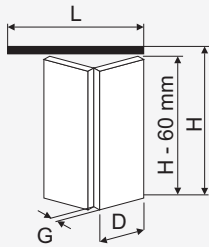


# HERKULES PLUS

Instrukcja montażu  
Инструкция монтажа  
Assembly guide

**VALCOMP**

www.valcomp.pl  
tel. 022 818 77 22



1

D ≤	600 mm	750 mm
HERKULES PLUS	2 x 25 kg 4 x 25 kg	2 x 40 kg 4 x 40 kg



G [mm]	16	18	22	25	28	32	40
x	2	2	3	3	4	4	6

2 A



$$D[\text{mm}] = \frac{L[\text{mm}] - x - 5}{2}$$

2 B



$$D[\text{mm}] = \frac{L[\text{mm}] - 2x - 8}{4}$$

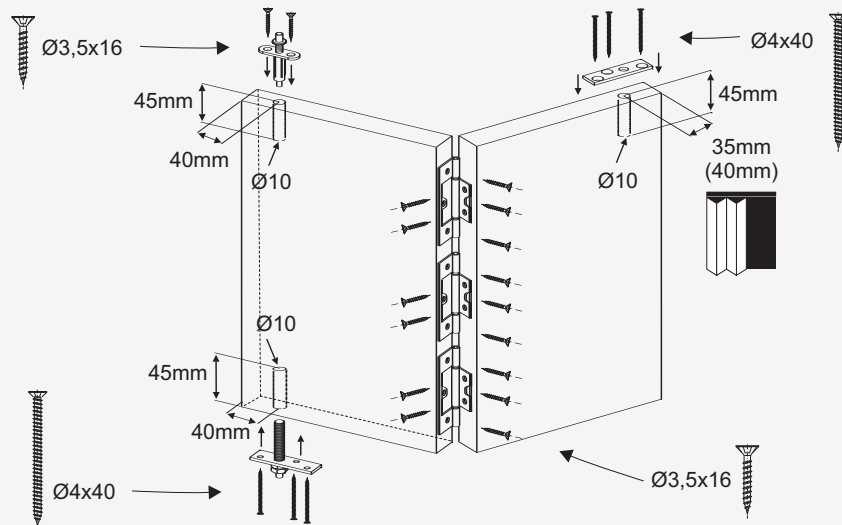
2 C



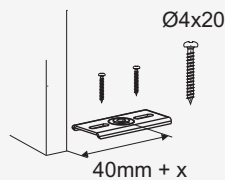
$$D[\text{mm}] = \frac{L[\text{mm}] - x - 8}{4}$$



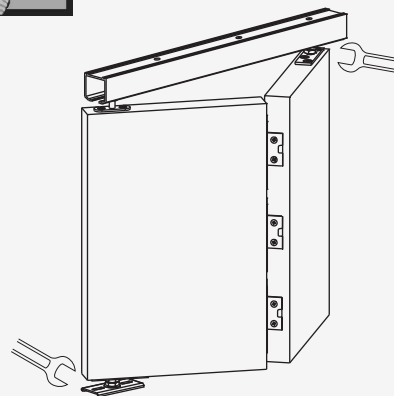
3



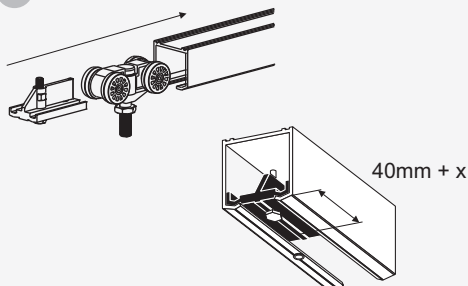
4



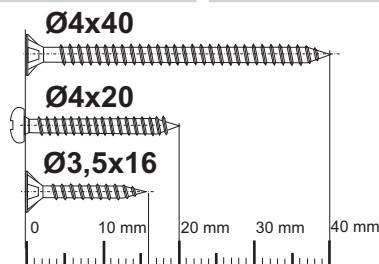
6



5



2009-09-PL



1:1